

N53

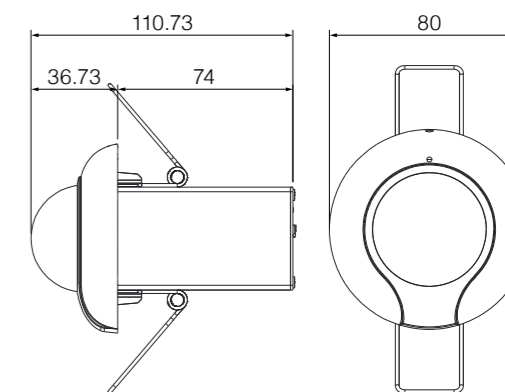
HD FIXED DOME



FEATURES

- ▶ 5 Megapixel Fisheye 360° View Lens
- ▶ Built-in Microphone
- ▶ Discreet & Compact Design
- ▶ Vandal-Proof

DIMENSIONS(unit:mm)



MODEL	RES.	FPS.	LENS	SENSOR
N53U-BL	2.1 MP	30 fps	4mm Fixed Iris Lens	Low-light
N53U-FL	2.1 MP	30 fps	1.37mm Fisheye Lens	Low-light
N53F-F	5 MP	10 fps	1.05mm 5MP Fisheye Lens	Low-light

SPECIFICATIONS

Model	N53U-BL 0.1 Lux	N53U-FL 0.1 Lux	N53F-F
Image Sensor	SONY 1/2.8" HD-1080p CMOS	SONY 1/2.8" HD-1080p CMOS	1/2.5" 5 MP CMOS
WDR	N/A	N/A	
Num. of Effective Pixels	1920 x 1080 HxV	1920 x 1080 HxV	2592 x 1920 HxV
Lens	4 mm, F1.5	Fisheye lens: 1.37 mm, F2.8	5MP Fisheye lens: 1.05 mm, F2.8
Minimum Illumination	0.05 Lux @ F1.2	0.05 Lux @ F1.2	0.1 Lux @ F1.2
Shutter Time(Sec.)	1/3~1/15000 or 1/4~1/15000 Selectable	1/3~1/15000 or 1/4~1/15000 Selectable	
Auto Iris	N/A, Fixed Iris	N/A, Fixed Iris	
S/N Ratio	More than 39 dB	More than 39 dB	More than 38 dB
Day/Night	Day Only	Day Only	
Video Compression	Motion JPEG, MPEG-4, H.264 High Profile	Motion JPEG, MPEG-4, H.264 High Profile	
H.264/MJPEG	30fps @ HD-1080p / HD-720p / SXGA / 1024 x 768 / 800 x 600 / D1 / VGA / QVGA / QQVGA	30fps @ HD-1080p / HD-720p / SXGA / 1024 x 768 / 800 x 600 / D1 / VGA / QVGA / QQVGA	10fps @ 5MP
MPEG4	30fps @ HD-1080p / HD-720p / SXGA / 1024 x 768 / 800 x 600 / D1 / VGA / QVGA / QQVGA	30fps @ HD-1080p / HD-720p / SXGA / 1024 x 768 / 800 x 600 / D1 / VGA / QVGA / QQVGA	5fps @ D1 / VGA / QVGA / QQVGA
Video Streaming	Multiple Stream: Support up to 4 Independent Streams with ROI(Region of Interest) Feature Controllable Framerate and Bandwidth CBR/VBR	Multiple Stream: Support up to 2 Independent Streams Controllable Framerate and Bandwidth CBR/VBR	
Bitrate	M-JPEG/VBR Mode: 5 Video Quality Level Selectable MPEG-4/H.264 CBR Mode: 1 M~12 Mbps	M-JPEG/VBR Mode: 5 Video Quality Level Selectable MPEG-4/H.264 CBR Mode: 1 M~12 Mbps	
Image Setting	Compression, Brightness, Contrast, Mirroring, Sharpness, AWB, AES, AGC, BLC, Day/Night Mode, WDR, 4 Privacy Mask Regions	Compression, Brightness, Contrast, Mirroring, Sharpness, AWB, AES, AGC, BLC, Day/Night Mode, WDR, 4 Privacy Mask Regions	
Audio Compression	G.711(u-law and a-law)/G.726/AAC	G.711(u-law and a-law)/G.726/AAC	
Audio Input	Built-in Microphone	Built-in Microphone	
Audio Output	Line Out x 1	Line Out x 1	
Security	Password Protection, IP Address Filtering, User Access Privilege	Password Protection, IP Address Filtering, User Access Privilege	
Network Protocols	TCP/IP, UDP, DHCP, PPPoE, HTTP, HTTPS, DNS, DynDNS, NTP, FTP, SMTP, UDP, RTP, RTSP, RTCP, 3GPP, UPnP, IPv4, SAMBA Client(NAS)	TCP/IP, UDP, DHCP, PPPoE, HTTP, HTTPS, DNS, DynDNS, NTP, FTP, SMTP, UDP, RTP, RTSP, RTCP, 3GPP, UPnP, IPv4, SAMBA Client(NAS)	
API	CGI, ONVIF Support	CGI, ONVIF Support	
Intelligent Video	Video Motion Detection, Tamper Detection	Video Motion Detection, Tamper Detection	
Alarm Trigger	Periodical Timer and Intelligent Video	Periodical Timer and Intelligent Video	
Alarm Event	Intelligent Video, File Upload via FTP and E-mail, E-mail Notification with Snapshot Attachment, External Output Activation, File Recording to microSD Card Remote FTP or Remote NAS	Intelligent Video, File Upload via FTP and E-mail, E-mail Notification with Snapshot Attachment, External Output Activation, File Recording to microSD Card Remote FTP or Remote NAS	
Video Buffer	24 MB Max.	24 MB Max.	
Configuration	EtroScan™ Utility, Web UI	EtroScan™ Utility, Web UI	
Web Browser	Microsoft IE 8.0 or above, Mozilla Firefox, Google Chrome	Microsoft IE 8.0 or above, Mozilla Firefox, Google Chrome	
Local Storage	microSD/SDHC Card Support	microSD/SDHC Card Support	
Casing	Vandal-proof	Vandal-proof	
Dimension	80(Ø) x 105.8(H) mm	80(Ø) x 110.8(H) mm	
Weight	276 g	276 g	
Processor & Memory	ARM 9 Base SoC, 256 MB RAM, 128 MB Flash	ARM 9 Base SoC, 256 MB RAM, 128 MB Flash	
Power	Power over Ethernet IEEE 802.3af, Max. 4.5 W	Power over Ethernet IEEE 802.3af, Max. 4.5 W	
I/O Connectors	1. RJ-45 Female Type 10BASE-T/100BASE-TX 2. Reset 3. Audio Line Out 4. microSD Card Slot	1. RJ-45 Female Type 10BASE-T/100BASE-TX 2. Reset 3. Audio Line Out 4. microSD Card Slot	
Failover	microSD/SDHC Auto-recovery, Reset	microSD/SDHC Auto-recovery, Reset	
Operation Conditions	-10°C~55°C(-13°F~131°F) Humidity: 20%~80% RH	-10°C~55°C(-13°F~131°F) Humidity: 20%~80% RH	
Included Accessories	QIG, CD-ROM(User Manual, Free Bundle NVR)	QIG, CD-ROM(User Manual, Free Bundle NVR)	
Approvals	FCC Part15 Subpart B, CE EN55022 Class A, EN55024, LVD, RoHS	FCC Part15 Subpart B, CE EN55022 Class A, EN55024, LVD, RoHS	FCC Part15 Subpart B, CE EN55022 Class A, EN55024, LVD, RoHS