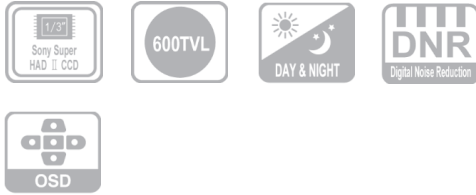


BOX CAMERA



FUNCTION

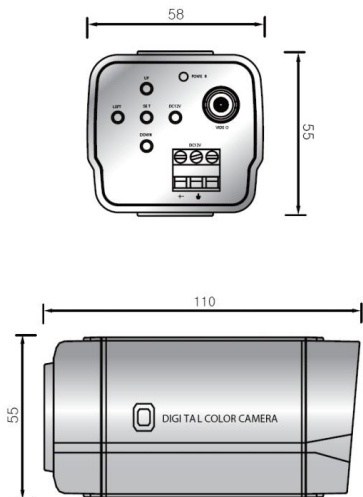
- 1/3" Sony Super HAD II CCD
- 0.0002Lux at F1.2(Sens-up x256)
- 600TV Lines
- Not including Lens
- Built-in OSD Controller
- DNR (Digital Noise Reduction)
- Built-in ICR Filter(Optional)

SPECIFICATION

DESCRIPTION	NTSC	PAL
Image Sensor	1/3" Sony Super HAD II CCD	
Effective Pixels	768(H) x 494(V)	752(H) x 582(V)
Scanning System	2:1 Interlace	
Synchronization	Internal	
Horizontal Resolution	600TV Lines	
Video Output	CVBS : 1.0Vp-p, 75Ω composite	
S/N (Y Signal)	50dB (AGC off)	
Min. Illumination	0.0002Lux at F1.2(Sens-up x256)	
Lens	C, CS Mount Lens	
Electronic Shutter	FIXED/MANUAL/FLK/Auto (1/60~1/10,000sec)	FIXED/MANUAL/FLK/Auto (1/50~1/10,000sec)
OSD Language	English / Spanish / portuguese / Russian / German Italian / Netherland / Chinese / Korean	
Backlight Compensation	BLC / HSBL / D-WDR	
White Balance	ATW / MANUAL / AWC	
Auto Gain Control	OFF / LOW / MIDDLE / HIGH	
Day&Night	AUTO / B/W / COLOR / EXT	
Privacy Masking	ON / OFF (8 AREA)	
Mirror	ON / OFF	
Motion	ON / OFF (4 AREA)	
DNR	OFF / LOW / MIDDLE / HIGH / AUTO	
SENSE-UP	OFF / AUTO / X2~X1024	
DPC	AUTO(LIVE) / MANUAL	
LSC	ON / OFF	
Gamma	0.45(0.05~1.00)	
Input Voltage	DC 12V(±10%) / AC 24V Dual Voltage(Optional)	
Power Consumption	DC 12V : 150mA(MAX) / AC 24V : 130mA(MAX)	
Operating Temp. / Hum.	-10°C ~ +50°C / MAX 90% RH	
Storage Temp. / Hum.	-20°C ~ +60°C / MAX 90% RH	

DIMENSION

Unit : mm.



OPTION

