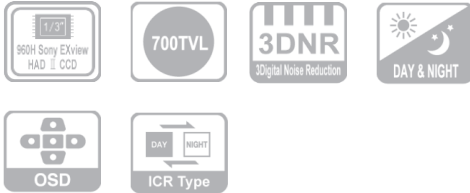


KCE-N140

BOX CAMERA



FUNCTION

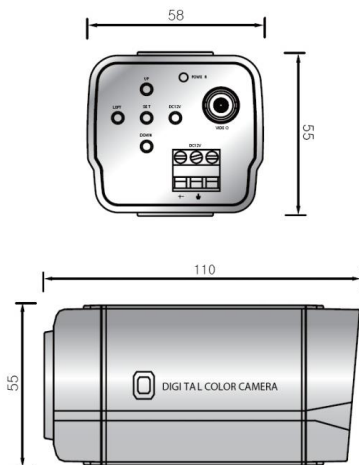
- 1/3" Sony 960H Exview HAD II CCD
- 0.00003Lux at F1.2(Sens-up Auto)
- High Resolution 700TV Line
- Built-in OSD Controller
- Built-in ICR Filter(Optional)
- Not including Lens
- 3DNR (Digital Noise Reduction)
- SMART MD
- MULTI LANGUAGE

SPECIFICATION

DESCRIPTION	NTSC	PAL
Image Sensor	1/3" Sony 960H Exview HAD II CCD	
Effective Pixels	976(H) x 494(V)	976(H) x 582(V)
Scanning System	2:1 Interlace	
Synchronization	Internal	
Horizontal Resolution	700TV Lines	
Video Output	CVBS : 1.0Vp-p, 75Ω composite	
S/N (Y Signal)	52dB (AGC off, Weight on)	
Min. Illumination	0.00003Lux at F1.2(SENS-UP AUTO)	
IRIS Adjustment	ALC / ESC	
Lens	C, CS Mount Lens	
Electronic Shutter	OFF/AUTO(X2~X128)	MANUAL(X2~X512)
ODS Language	ENG / KOR / JAP/FRE/ITA/SPA/POR /DUT/GER/POL/RUS/TUR/ARA/HEB	
Backlight Compensation	OFF / WDR / D-WDR / BLC / HSBLC	
White Balance	ATW(1,700°K ~ 11,000°K) / AUTO/ AWC / MANUAL	
Auto Gain Control	Off / Low / Middle / High	
Day&Night	Color / Auto / B/W / EXT (Built In DC Motor Driver)	
Privacy Masking	On / Off (Programmable 14 zones)	
3D-DNR	OFF / LOW / MIDDLE / HIGH	
Digital Zoom	OFF/ON (x1 ~ x10)	
Motion	Smart MD / Regional MD	
Digital Effect	OFF / V-FLIP / MIRROR / ROTATE	
Input Voltage	DC 12V(±10%) / AC 24V Dual Voltage(Optional)	
Power Consumption	DC 12V : 150mA(MAX) / AC 24V : 250mA(MAX)	
Operating Temp. / Hum	-10°C ~ +50°C / 30% ~ 80% RH	
.Storage Temp. / Hum.	-20°C ~ +60°C / 20% ~ 90% RH	

DIMENSION

Unit.: mm



OPTION

