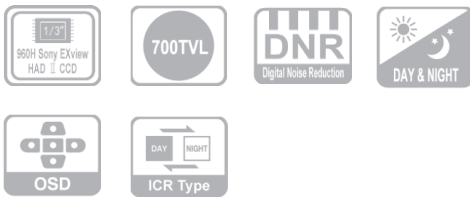


BOX CAMERA



**FUNCTION**

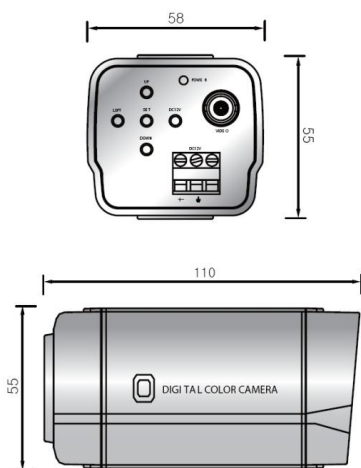
- 1/3" Sony 960H Exview HAD II CCD
- 0.05Lux at F1.2
- High Resolution 700TV Line
- Not including Lens
- Built-in OSD Controller
- DNR (Digital Noise Reduction)
- ATR(D-WDR)
- Built-in ICR Filter(Optional)

**SPECIFICATION**

DESCRIPTION	NTSC	PAL
Image Sensor	1/3" Sony 960H Exview HAD II CCD	
Effective Pixels	976(H) x 494(V)	976(H) x 582(V)
Scanning System	2:1 Interlace	
Synchronization	Internal	
Horizontal Resolution	700TV Lines(MAX)	
Video Output	CVBS : 1.0Vp-p, 75Ω composite	
S/N (Y Signal)	52dB (AGC off)	
Min. Illumination	0.05Lux at F1.2	
Lens	C, CS Mount Lens	
Electronic Shutter	Auto/Manual (1/60~1/10,000sec)	Auto/Manual (1/50~1/10,000sec)
ODS Language	English / Japanese / German / French / Russian / Portuguese / Spanish	
Backlight Compensation	BLC / HSBLK / OFF	
White Balance	ATW / PUSH / USER1 / USER2 / ANTI CR / MANUAL / PUSH LOCK	
Auto Gain Control	Manual / Auto	
Day&Night	COLOR / AUTO / B/W / EXT1 / EXT2	
Privacy Masking	ON/OFF (8 zones)	
Mirror	ON / OFF	
Motion	ON/OFF(4 zones)	
White pixel Detection	ONE PUSH (KEY UP)	
IR OPTIMIZER	OFF / ON (AUTO / CENTER)	
ATR(D-WDR)	ON / OFF (LUMINANCE / CONTRAST)	
NR(DNR)	Y/C Level Adjustment	
Input Voltage	DC 12V(±10%) / AC 24V Dual Voltage(Optional)	
Power Consumption	DC 12V : 150mA(MAX) / AC 24V : 130mA(MAX)	
Operating Temp. / Hum.	-10°C~ +50°C / 30% ~ 80% RH	
Storage Temp. / Hum.	-20°C ~ +60°C / 20% ~ 90% RH	

**DIMENSION**

Unit.: mm.



**OPTION**

