

EV8582

HD FIXED DOME

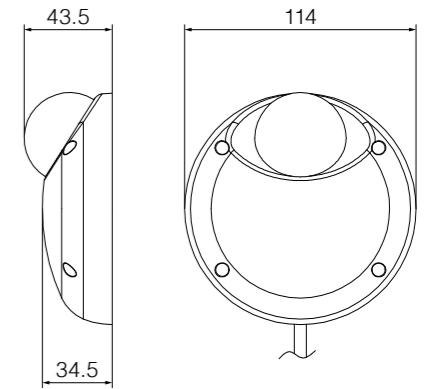


FEATURES

- ▶ Discreet & Flat Design
- ▶ EN50155 Certified
- ▶ B&W Mode in Low Lux Conditions
- ▶ Built-in Microphone
- ▶ Vandal-proof

MODEL	RES.	FPS.	SENSOR
EV8582A-BD	1.3 MP	30 fps	WDR
EV8582A-BL	1.3 MP	30 fps	Low-light
EV8582U-BL	2.1 MP	30 fps	Low-light

DIMENSIONS(unit:mm)



SPECIFICATIONS

Model	EV8582A-BD WDR	EV8582A-BL 0.1 Lux	EV8582U-BL 0.1 Lux
Image Sensor	SONY 1/4" 1.3 MP WDR CMOS	SONY 1/3" 1.3 MP CMOS	SONY 1/2.8" HD-1080p CMOS
WDR	Yes	N/A	
Num. of Effective Pixels	1280 x 1024 HxV		1920 x 1080 HxV
Lens	4 mm, F1.5	4 mm, F1.5	
Minimum Illumination	0.1 Lux @ F1.2	0.05 Lux @ F1.2	
Shutter Time(Sec.)	1/3~1/15000 or 1/4~1/15000 Selectable	1/3~1/15000 or 1/4~1/15000 Selectable	
Auto Iris	N/A	N/A	
S/N Ratio	More than 38 dB	More than 39 dB	
Day/Night	Day only	Day only	
Video Compression	Motion JPEG, MPEG-4, H.264 High Profile	Motion JPEG, MPEG-4, H.264 High Profile	
H.264/MJPEG	30fps @ SXGA / 1024 x 768 / 800 x 600 / D1 / VGA / QVGA / QQVGA	30fps @ SXGA / 1024 x 768 / 800 x 600 / D1 / VGA / QVGA / QQVGA	30fps @ HD-1080p / HD-720p / SXGA / 1024 x 768 / 800 x 600 / D1 / VGA / QVGA / QQVGA
MPEG4	30fps @ SXGA / 1024 x 768 / 800 x 600 / D1 / VGA / QVGA / QQVGA	30fps @ SXGA / 1024 x 768 / 800 x 600 / D1 / VGA / QVGA / QQVGA	30fps @ HD-1080p / HD-720p / SXGA / 1024 x 768 / 800 x 600 / D1 / VGA / QVGA / QQVGA
Video Streaming	Multiple Stream: Support up to 4 Independent Streams with ROI(Region of Interest) Feature Controllable Framerate and Bandwidth CBR/VBR	Multiple Stream: Support up to 4 Independent Streams with ROI(Region of Interest) Feature Controllable Framerate and Bandwidth CBR/VBR	
Bitrate	M-JPEG/VBR Mode: 5 Video Quality Level Selectable, MPEG-4/H.264 CBR Mode: 1 M~12 Mbps	M-JPEG/VBR Mode: 5 Video Quality Level Selectable, MPEG-4/H.264 CBR Mode: 1 M~12 Mbps	
Video Output	Yes, Composite Video	Yes, Composite Video	
Image Setting	Compression, Brightness, Contrast, Mirroring, Sharpness, AWB, AES, AGC, BLC, Day/Night Mode, WDR, 4 Privacy Mask Regions	Compression, Brightness, Contrast, Mirroring, Sharpness, AWB, AES, AGC, BLC, Day/Night Mode, WDR, 4 Privacy Mask Regions	
Audio Compression	G.711(u-law and a-law)/G.726/AAC	G.711(u-law and a-law)/G.726/AAC	
Audio Input	Built-in Microphone, Line In x 1	Built-in Microphone, Line In x 1	
Audio Output	Line Out x 1	Line Out x 1	
Security	Password Protection, IP Address Filtering, User Access Privilege	Password Protection, IP Address Filtering, User Access Privilege	
Network Protocols	TCP/IP, UDP, DHCP, PPPoE, HTTP, HTTPS, DNS, DynDNS, NTP, FTP, SMTP, UDP, RTP, RTSP, RTCP, 3GPP, UPnP, IPv4, SAMBA Client(NAS), IGMP, ICMP, ARP	TCP/IP, UDP, DHCP, PPPoE, HTTP, HTTPS, DNS, DynDNS, NTP, FTP, SMTP, UDP, RTP, RTSP, RTCP, 3GPP, UPnP, IPv4, SAMBA Client(NAS), IGMP, ICMP, ARP	
API	CGI, ONVIF Support	CGI, ONVIF Support	
Intelligent Video	Video Motion Detection	Video Motion Detection, Tamper Detection	
Alarm Trigger	Periodical Timer, Intelligent Video and External Digital Input	Periodical Timer, Intelligent Video and External Digital Input	
Alarm Event	Intelligent Video, File Upload via FTP and E-mail, E-mail Notification with Snapshot Attachment, External Output Activation, File Recording to microSD Card Remote FTP or Remote NAS	Intelligent Video, File Upload via FTP and E-mail, E-mail Notification with Snapshot Attachment, External Output Activation, File Recording to microSD Card Remote FTP or Remote NAS	
Video Buffer	24 MB Max.	24 MB Max.	
Configuration	EtroScan™ Utility, Web UI	EtroScan™ Utility, Web UI	
Web Browser	Microsoft IE 8.0 or above, Mozilla Firefox, Google Chrome	Microsoft IE 8.0 or above, Mozilla Firefox, Google Chrome	
Local Storage	microSD/SDHC Card Support	microSD/SDHC Card Support	
Casing	Vandal-proof(Lens Holder Pan: 0~90°, Tilt: +/-10, Rotation +/-10)	Vandal-proof(Lens Holder Pan: 0~90°, Tilt: +/-10, Rotation +/-10)	
Dimension	114(Ø) x 39(H) mm	114(Ø) x 39(H) mm	
Weight	247 g	247 g	
Processor & Memory	ARM 9 Base SoC, 256 MB RAM, 128 MB Flash	ARM 9 Base SoC, 256 MB RAM, 128 MB Flash	
Power	Power over Ethernet IEEE 802.3af, Max. 3.6 W, 8~25 Vdc	Power over Ethernet IEEE 802.3af, Max. 3.6 W, 8~25 Vdc, 24 Vac	
I/O Connectors	1. RJ-45 Female Type 10BASE-T/100BASE-TX 2. DC Jack 3. Audio Line In/Out 4. Alarm In/Out 5. microSD Card Slot	1. RJ-45 Female Type 10BASE-T/100BASE-TX 2. 2-pin Terminal Block for DC Power Input 3. Audio Line In/Out 4. Alarm In/Out 5. microSD Card Slot	6. Video Out Wafer 7. Reset
Failover	microSD/SDHC Auto-recovery, Reset	microSD/SDHC Auto-recovery, Reset	
Operation Conditions	-10°C~50°C(14°F~122°F) Humidity: 20%~80% RH	-10°C~50°C(14°F~122°F) Humidity: 20%~80% RH	
Included Accessories	QIG, Power Adapter, Power Cable, Video Out Cable, CD-ROM(User Manual, Free Bundle NVR)	QIG, Power Adapter, Power Cable, Video Out Cable, I/O Cable(optional), CD-ROM(User Manual, Free Bundle NVR)	
Approvals	CE, LVD, FCC, EN50155, RoHS	CE, LVD, FCC, EN50155, RoHS	
IR Range	N/A	N/A	
Number of IR LED	N/A	N/A	
IR Angle	N/A	N/A	
IR Wavelength	N/A	N/A	