

# EV8581

## HD FIXED DOME

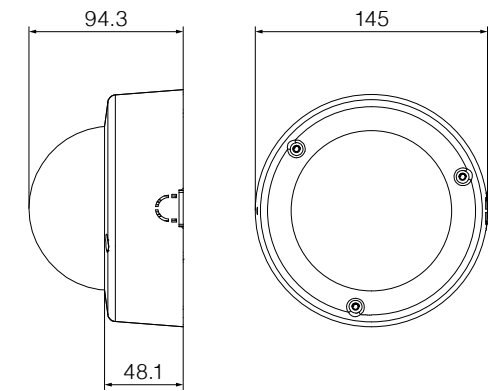


### FEATURES

- ▶ 15 M IR Range
- ▶ Day & Night
- ▶ Built-in Microphone
- ▶ Vandal-proof
- ▶ Access Reader Integrated Supports Access Control System

| MODEL      | RES.   | FPS.   | LENS                        | SENSOR    |
|------------|--------|--------|-----------------------------|-----------|
| EV8581Q-MD | 3 MP   | 20 fps | 3x P-Iris Zoom, 3~9 mm Lens | WDR       |
| EV8581Q-BD | 3 MP   | 20 fps | 4 mm Fixed Lens             | WDR       |
| EV8581Q-CD | 3 MP   | 20 fps | 3~10 mm Vari-Focal Lens     | WDR       |
| EV8581A-BD | 1.3 MP | 30 fps | 4 mm Fixed Lens             | WDR       |
| EV8581A-CD | 1.3 MP | 30 fps | 3~12 mm Vari-Focal Lens     | WDR       |
| EV8581U-BL | 2.1 MP | 30 fps | 4 mm Fixed Lens             | Low-light |
| EV8581U-CL | 2.1 MP | 30 fps | 3~9 mm Vari-Focal Lens      | Low-light |
| EV8581A-BL | 1.3 MP | 30 fps | 4 mm Fixed Lens             | Low-light |
| EV8581A-CL | 1.3 MP | 30 fps | 3~9 mm Vari-Focal Lens      | Low-light |

### DIMENSIONS(unit:mm)



### SPECIFICATIONS

| Model                    | EV8581Q-MD <b>WDR</b> <b>OPTICAL ZOOM</b>   | EV8581Q-BD/CD <b>WDR</b>   | EV8581A-BD/CD <b>WDR</b>  | EV8581U-BL/CL <b>0.1 Lux</b>   | EV8581A-BL/CL <b>0.1 Lux</b>                                    |
|--------------------------|---|--|---|--|---|
| Image Sensor             | 1/3" 3 MP WDR CMOS  | EV8581Q-BD: 4 mm, F1.5   | SONY 1/4" 1.3 MP WDR CMOS   | SONY 1/2.8" HD-1080p CMOS  | SONY 1/3" 1.3 MP CMOS   |
| WDR                      | Dual-exposure, up to 110 dB   |  | Yes   | N/A  |   |
| Num. of Effective Pixels | 2048 x 1536 HxV   |  | 1280 x 1024 HxV   | 1920 x 1080 HxV  | 1280 x 1024 HxV   |
| Lens                     | 3x Optical Zoom: 3~9 mm, F1.2   | EV8581Q-BD: 4 mm, F1.5<br>EV8581Q-CD: 3~10 mm Vari-Focal, F1.3                         | EV8581A-BD: 4 mm, F1.5<br>EV8581A-CD: 3~12 mm Vari-Focal, F1.4  | EV8581U-BL: 4 mm, F1.5<br>EV8581U-CL: 3~9 mm Vari-Focal, F1.2                          | EV8581A-BL: 4 mm, F1.5<br>EV8581A-CL: 3~9 mm Vari-Focal, F1.2   |
| Minimum Illumination     | 0.1 Lux @ F1.2(IR on, 28 Pcs LED 15 M)  |  | 0.1 Lux @ F1.2(IR on, 28 Pcs LED 15 M)  | 0.05 Lux @ F1.2, 0 Lux(IR on, 28 Pcs LED 15 M)   |   |
| Shutter Time(Sec.)       | 1/3~1/15000 or 1/4~1/15000 Selectable   |  | 1/3~1/15000 or 1/4~1/15000 Selectable   |  |   |
| Auto Iris                | P-Iris  | EV8581Q-BD: Fixed Iris<br>EV8581Q-CD: DC Drive   | EV8581A-BD: Fixed Iris<br>EV8581A-CD: DC Drive  | EV8581U-BL: Fixed Iris<br>EV8581U-CL: DC Drive   | EV8581A-BL: Fixed Iris<br>EV8581A-CL: DC Drive                  |
| S/N Ratio                | More than 39 dB   |  | More than 39 dB   |  |   |
| Day/Night                | Yes, Built-in ICR, IR Auto-start under 10 Lux   |  | Yes, Built-in ICR, IR Auto-start under 10 Lux   |  |   |
| Video Compression        | Motion JPEG, MPEG-4, H.264 High Profile   |  | Motion JPEG, MPEG-4, H.264 High Profile   |  |   |
| H.264/MJPEG              | 20fps @ 3MP, 30fps @ HD-1080p / HD-720p / SXGA / 1024 x 768 / 800 x 600 / D1 / VGA / QVGA / QQVGA   |  | 30fps @ SXGA / 1024 x 768 / 800 x 600 / D1 / VGA / QVGA / QQVGA   | 30fps @ HD-1080p / HD-720p / SXGA / 1024 x 768 / 800 x 600 / D1 / VGA / QVGA / QQVGA   | 30fps @ SXGA / 1024 x 768 / 800 x 600 / D1 / VGA / QVGA / QQVGA |
| MPEG4                    | 30fps @ HD-1080p / HD-720p / SXGA / 1024 x 768 / 800 x 600 / D1 / VGA / QVGA / QQVGA  |  | 30fps @ SXGA / 1024 x 768 / 800 x 600 / D1 / VGA / QVGA / QQVGA   | 30fps @ HD-1080p / HD-720p / SXGA / 1024 x 768 / 800 x 600 / D1 / VGA / QVGA / QQVGA   | 30fps @ SXGA / 1024 x 768 / 800 x 600 / D1 / VGA / QVGA / QQVGA |
| Video Streaming          | Multiple Stream: Support up to 4 Independent Streams with ROI(Region of Interest) Feature<br>Controllable Framerate and Bandwidth CBR/VBR                                       |  | Multiple Stream: Support up to 4 Independent Streams with ROI(Region of Interest) Feature<br>Controllable Framerate and Bandwidth CBR/VBR                                       |  |   |
| Bitrate                  | M-JPEG/VBR Mode: 5 Video Quality Level Selectable, MPEG-4/H.264 CBR Mode: 1 M~12 Mbps   |  | M-JPEG/VBR Mode: 5 Video Quality Level Selectable, MPEG-4/H.264 CBR Mode: 1 M~12 Mbps   |  |   |
| Video Output             | Yes, Composite Video  |  | Yes, Composite Video  |  |   |
| Image Setting            | Compression, Brightness, Contrast, Mirroring, Sharpness, AWB, AES, AGC, BLC, Day/Night Mode, WDR, 4 Privacy Mask Regions  |  | Compression, Brightness, Contrast, Mirroring, Sharpness, AWB, AES, AGC, BLC, Day/Night Mode, WDR, 4 Privacy Mask Regions  |  |   |
| Audio Compression        | G.711(u-law and a-law)/G.726/AAC  |  | G.711(u-law and a-law)/G.726/AAC  |  |   |
| Audio Input              | Built-in Microphone, Line In x 1  |  | Built-in Microphone, Line In x 1  |  |   |
| Audio Output             | Line Out x 1  |  | Line Out x 1  |  |   |
| Security                 | Password Protection, IP Address Filtering, User Access Privilege  |  | Password Protection, IP Address Filtering, User Access Privilege  |  |   |
| Network Protocols        | TCP/IP, UDP, DHCP, PPPoE, HTTP, HTTPS, DNS, DynDNS, NTP, FTP, SMTP, UDP, RTP, RTSP, RTCP, 3GPP, UPnP, IPv4, SAMBA Client(NAS), IGMP, ICMP, ARP                                  |  | TCP/IP, UDP, DHCP, PPPoE, HTTP, HTTPS, DNS, DynDNS, NTP, FTP, SMTP, UDP, RTP, RTSP, RTCP, 3GPP, UPnP, IPv4, SAMBA Client(NAS), IGMP, ICMP, ARP                                  |  |   |
| API                      | CGI, ONVIF Support  |  | CGI, ONVIF Support  |  |   |
| Intelligent Video        | Video Motion Detection, Tamper Detection  |  | Video Motion Detection, Tamper Detection  |  |   |
| Alarm Trigger            | Periodical Timer, Intelligent Video and External Digital Input  |  | Periodical Timer, Intelligent Video and External Digital Input  |  |   |
| Alarm Event              | Intelligent Video, File Upload via FTP and E-mail, E-mail Notification with Snapshot Attachment, External Output Activation, File Recording to SD Card Remote FTP or Remote NAS |  | Intelligent Video, File Upload via FTP and E-mail, E-mail Notification with Snapshot Attachment, External Output Activation, File Recording to SD Card Remote FTP or Remote NAS |  |   |
| Video Buffer             | 24 MB Max.  |  | 24 MB Max.  |  |   |
| Configuration            | EtroScan™ Utility, Web UI   |  | EtroScan™ Utility, Web UI   |  |   |
| Web Browser              | Microsoft IE 8.0 or above, Mozilla Firefox, Google Chrome   |  | Microsoft IE 8.0 or above, Mozilla Firefox, Google Chrome   |  |   |
| Local Storage            | microSD/SDHC Card Support   |  | microSD/SDHC Card Support   |  |   |
| Casing                   | Vandal-proof  |  | Vandal-proof  |  |   |
| Dimension                | 145(Ø) x 94(H) mm   |  | 145(Ø) x 94(H) mm   |  |   |
| Weight                   | 630 g   | 600 g  | 650 g   |  | 630 g   |
| Processor & Memory       | ARM 9 Base SoC, 256 MB RAM, 128 MB Flash  |  | ARM 9 Base SoC, 256 MB RAM, 128 MB Flash  |  |   |
| Power                    | Power over Ethernet IEEE 802.3af, Max. 9.5 W, 8~25 Vdc, 24 Vac  | Power over Ethernet IEEE 802.3af, Max. 8.9 W, 8~25 Vdc, 24 Vac                         | Power over Ethernet IEEE 802.3af, Max. 8.9 W, 8~25 Vdc, 24 Vac  | Power over Ethernet IEEE 802.3af, Max. 8.9 W, 8~25 Vdc, 24 Vac                         |   |
| I/O Connectors           | 1. RJ-45 Female Type 10BASE-T/100BASE-TX<br>2. 2-pin Terminal Block for DC/AC Power Input<br>3. Audio Line In/Out<br>4. Alarm In/Out, RS-485                                    | 5. microSD Card Slot<br>6. Video Out Wafer<br>7. 2-pin External IR Trigger<br>8. Reset | 1. RJ-45 Female Type 10BASE-T/100BASE-TX<br>2. 2-pin Terminal Block for DC/AC Power Input<br>3. Audio Line In/Out<br>4. Alarm In/Out, RS-485                                    | 5. microSD Card Slot<br>6. Video Out Wafer<br>7. 2-pin External IR Trigger<br>8. Reset |   |
| Failover                 | microSD/SDHC Auto-recovery, Reset   |  | microSD/SDHC Auto-recovery, Reset   |  |   |
| Operation Conditions     | -10°C~50°C(14°F~122°F) Humidity: 20%~80% RH   | -10°C~55°C(-13°F~131°F) Humidity: 20%~80% RH   | -10°C~55°C(-13°F~131°F) Humidity: 20%~80% RH  |  |   |
| Included Accessories     | QIG, Power Adapter, Power Cable, Video Out Cable, CD-ROM(User Manual, Free Bundle NVR)  |  | QIG, Power Adapter, Power Cable, Video Out Cable, CD-ROM(User Manual, Free Bundle NVR)  |  |   |
| Approvals                | FCC Part15 SubpartB, CE EN55022 ClassA, EN55024, LVD, RoHS  |  | FCC Part15 SubpartB, CE EN55022 Class A, EN55024, LVD, RoHS   |  |   |
| IR Range                 | 15 M  |  | 15 M  |  |   |
| Number of IR LED         | 28  |  | 28  |  |   |
| IR Angle                 | View Angle: 25°/40°   |  | View Angle: 25°/40°   |  |   |
| IR Wavelength            | 850 nm  |  | 850 nm  |  |   |