

EV8580

HD FIXED DOME

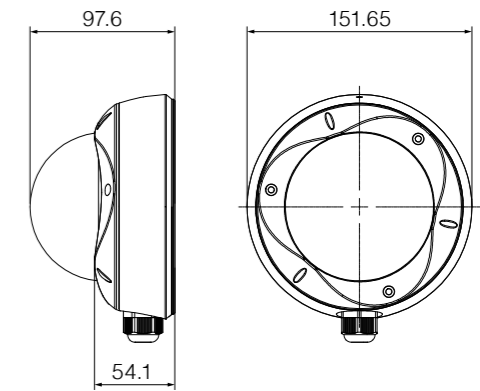


FEATURES

- ▶ 15 M IR Range
- ▶ Day & Night
- ▶ IP66, Built-in Microphone
- ▶ Access Reader Integrated Supports Access Control System

MODEL	RES.	FPS.	LENS	SENSOR
EV8580F-B	5 MP	10 fps	4 mm Fixed Lens	CMOS
EV8580F-C	5 MP	10 fps	3.4~10 mm Vari-Focal Lens	CMOS
EV8580Q-MD	3 MP	20 fps	3x P-Iris Zoom, 3~9 mm Lens	WDR
EV8580Q-BD	3 MP	20 fps	4 mm Fixed Lens	WDR
EV8580Q-CD	3 MP	20 fps	3~10 mm Vari-Focal Lens	WDR
EV8580A-BD	1.3 MP	30 fps	4 mm Fixed Lens	WDR
EV8580A-CD	1.3 MP	30 fps	3~12 mm Vari-Focal Lens	WDR
EV8580U-BL	2.1 MP	30 fps	4 mm Fixed Lens	Low-light
EV8580U-CL	2.1 MP	30 fps	3~9 mm Vari-Focal Lens	Low-light
EV8580A-BL	1.3 MP	30 fps	4 mm Fixed Lens	Low-light
EV8580A-CL	1.3 MP	30 fps	3~9 mm Vari-Focal Lens	Low-light

DIMENSIONS(unit:mm)



SPECIFICATIONS

Model	EV8580F-B/C	EV8580Q-MD WDR OPTICAL ZOOM	EV8580Q-BD/CD WDR	EV8580A-BD/CD WDR	EV8580U-BL/CL 0.1 Lux	EV8580A-BL/CL 0.1 Lux
Image Sensor	1/2.5" 5 MP CMOS	1/3" 3 MP WDR CMOS	1/3" 3 MP WDR CMOS	SONY 1/4" 1.3 MP WDR CMOS	SONY 1/2.8" HD-1080p CMOS	SONY 1/3" 1.3 MP CMOS
WDR	N/A	Dual-Exposure, up to 110 dB	Dual-Exposure, up to 110 dB	Yes	N/A	N/A
Num. of Effective Pixels	2592 x 1920 HxV	2048 x 1536 HxV	2048 x 1536 HxV	1280 x 1024 HxV	1920 x 1080 HxV	1280 x 1024 HxV
Lens	EV8580F-B: 4 mm, F1.8 EV8580F-C: 3.4~10 mm, F1.4	3x Optical Zoom: 3~9 mm, F1.2	EV8580Q-BD: 4 mm, F1.5 EV8580Q-CD: 3~10 mm Vari-Focal, F1.3	EV8580A-BD: 4 mm, F1.5 EV8580A-CD: 3~12 mm Vari-Focal, F1.4	EV8580U-BL: 4 mm, F1.5 EV8580U-CL: 3~9 mm Vari-Focal, F1.2	EV8580A-BL: 4 mm, F1.5 EV8580A-CL: 3~9 mm Vari-Focal, F1.2
Minimum Illumination	0.1 Lux @ F1.2, 0 Lux(IR on, 28 Pcs LED 15 M)		0.1 Lux @ F1.2, 0 Lux(IR on, 28 Pcs LED 15 M)	0.1 Lux @ F1.2, 0 Lux(IR on, 28 Pcs LED 15 M)	0.05 Lux @ F1.2, 0 Lux(IR on, 28 Pcs LED 15 M)	
Shutter Time(Sec.)	1/3~1/15000 or 1/4~1/15000 Selectable		1/3~1/15000 or 1/4~1/15000 Selectable			
Auto Iris	EV8580F-B: Fixed Iris EV8580F-C: DC Drive	P-Iris	EV8580Q-BD: Fixed Iris EV8580Q-CD: DC Drive	EV8580A-BD: Fixed Iris EV8580A-CD: DC Drive	EV8580U-BL: Fixed Iris EV8580U-CL: DC Drive	EV8580A-BL: Fixed Iris EV8580A-CL: DC Drive
S/N Ratio	More than 38 dB	More than 39 dB	More than 39 dB	More than 39 dB		
Day/Night	Yes, Built-in ICR, IR Auto-start under 10 Lux		Yes, Built-in ICR, IR Auto-start under 10 Lux			
Video Compression	Motion JPEG, MPEG-4, H.264 High Profile		Motion JPEG, MPEG-4, H.264 High Profile			
H.264/MJPEG	10fps @ 5MP, 20fps @ 3MP, 30fps @ HD-1080p / HD-720p / SXGA / 1024 x 768 / 800 x 600 / D1 / VGA / QVGA / QQVGA / Minilux Mode	20fps @ 3MP, 30fps @ HD-1080p / HD-720p / SXGA / 1024 x 768 / 800 x 600 / D1 / VGA / QVGA / QQVGA	20fps @ 3MP, 30fps @ HD-1080p / HD-720p / SXGA / 1024 x 768 / 800 x 600 / D1 / VGA / QVGA / QQVGA	30fps @ SXGA / 1024 x 768 / 800 x 600 / D1 / VGA / QVGA / QQVGA	30fps @ HD-1080p / HD-720p / SXGA / 1024 x 768 / 800 x 600 / D1 / VGA / QVGA / QQVGA	30fps @ SXGA / 1024 x 768 / 800 x 600 / D1 / VGA / QVGA / QQVGA
MPEG4	30fps @ HD-1080p / HD-720p / SXGA / 1024 x 768 / 800 x 600 / D1 / VGA / QVGA / QQVGA / Minilux Mode	30fps @ HD-1080p / HD-720p / SXGA / 1024 x 768 / 800 x 600 / D1 / VGA / QVGA / QQVGA	30fps @ HD-1080p / HD-720p / SXGA / 1024 x 768 / 800 x 600 / D1 / VGA / QVGA / QQVGA	30fps @ SXGA / 1024 x 768 / 800 x 600 / D1 / VGA / QVGA / QQVGA	30fps @ HD-1080p / HD-720p / SXGA / 1024 x 768 / 800 x 600 / D1 / VGA / QVGA / QQVGA	30fps @ SXGA / 1024 x 768 / 800 x 600 / D1 / VGA / QVGA / QQVGA
Video Streaming	Multiple Stream: Support up to 4 Independent Streams with ROI(Region of Interest) Feature, Controllable Framerate and Bandwidth CBR/VBR		Multiple Stream: Support up to 4 Independent Streams with ROI(Region of Interest) Feature, Controllable Framerate and Bandwidth CBR/VBR		Multiple Stream: Support up to 4 Independent Streams with ROI(Region of Interest) Feature, Controllable Framerate and Bandwidth CBR/VBR	
Bitrate	M-JPEG/VBR Mode: 5 Video Quality Level Selectable, MPEG-4/H.264 CBR Mode: 1 M~12 Mbps		M-JPEG/VBR Mode: 5 Video Quality Level Selectable, MPEG-4/H.264 CBR Mode: 1 M~12 Mbps		M-JPEG/VBR Mode: 5 Video Quality Level Selectable, MPEG-4/H.264 CBR Mode: 1 M~12 Mbps	
Video Output	Yes, Composite Video		Yes, Composite Video		Yes, Composite Video	
Image Setting	Compression, Brightness, Contrast, Mirroring, Sharpness, AWB, AES, AGC, BLC, Day/Night Mode, WDR, 4 Privacy Mask Regions		Compression, Brightness, Contrast, Mirroring, Sharpness, AWB, AES, AGC, BLC, Day/Night Mode, WDR, 4 Privacy Mask Regions		Compression, Brightness, Contrast, Mirroring, Sharpness, AWB, AES, AGC, BLC, Day/Night Mode, WDR, 4 Privacy Mask Regions	
Audio Compression	G.711(u-law and a-law)/G.726/AAC		G.711(u-law and a-law)/G.726/AAC		G.711(u-law and a-law)/G.726/AAC	
Audio Input	Built-in Microphone, Line In x 1		Built-in Microphone, Line In x 1		Built-in Microphone, Line In x 1	
Audio Output	Line Out x 1		Line Out x 1		Line Out x 1	
Security	Password Protection, IP Address Filtering, User Access Privilege		Password Protection, IP Address Filtering, User Access Privilege		Password Protection, IP Address Filtering, User Access Privilege	
Network Protocols	TCP/IP, UDP, DHCP, PPPoE, HTTP, HTTPS, DNS, DynDNS, NTP, FTP, SMTP, UDP, RTP, RTSP, RTCP, 3GPP, UPnP, IPv4, SAMBA Client(NAS), IGMP, ICMP, ARP		TCP/IP, UDP, DHCP, PPPoE, HTTP, HTTPS, DNS, DynDNS, NTP, FTP, SMTP, UDP, RTP, RTSP, RTCP, 3GPP, UPnP, IPv4, SAMBA Client(NAS), IGMP, ICMP, ARP		TCP/IP, UDP, DHCP, PPPoE, HTTP, HTTPS, DNS, DynDNS, NTP, FTP, SMTP, UDP, RTP, RTSP, RTCP, 3GPP, UPnP, IPv4, SAMBA Client(NAS), IGMP, ICMP, ARP	
API	CGI, ONVIF Support		CGI, ONVIF Support		CGI, ONVIF Support	
Intelligent Video	Video Motion Detection, Tamper Detection		Video Motion Detection, Tamper Detection		Video Motion Detection, Tamper Detection	
Alarm Trigger	Periodical Timer, Intelligent Video and External Digital Input		Periodical Timer, Intelligent Video and External Digital Input		Periodical Timer, Intelligent Video and External Digital Input	
Alarm Event	Intelligent Video, File Upload via FTP and E-mail, E-mail Notification with Snapshot Attachment, External Output Activation, File Recording to SD Card Remote FTP or Remote NAS		Intelligent Video, File Upload via FTP and E-mail, E-mail Notification with Snapshot Attachment, External Output Activation, File Recording to SD Card Remote FTP or Remote NAS		Intelligent Video, File Upload via FTP and E-mail, E-mail Notification with Snapshot Attachment, External Output Activation, File Recording to SD Card Remote FTP or Remote NAS	
Video Buffer	24 MB Max.		24 MB Max.		24 MB Max.	
Configuration	EtroScan™ Utility, Web UI		EtroScan™ Utility, Web UI		EtroScan™ Utility, Web UI	
Web Browser	Microsoft IE 8.0 or above, Mozilla Firefox, Google Chrome		Microsoft IE 8.0 or above, Mozilla Firefox, Google Chrome		Microsoft IE 8.0 or above, Mozilla Firefox, Google Chrome	
Local Storage	microSD/SDHC Card Support		microSD/SDHC Card Support		microSD/SDHC Card Support	
Casing	Metal(Aluminum), IP66, Vandal-proof		Metal(Aluminum), IP66, Vandal-proof		Metal(Aluminum), IP66, Vandal-proof	
Dimension	152(Ø) x 98(H) mm		152(Ø) x 98(H) mm		152(Ø) x 98(H) mm	
Weight	1100 g		1100 g		1100 g	
Processor & Memory	ARM 9 Base SoC, 256 MB RAM, 128 MB Flash		ARM 9 Base SoC, 256 MB RAM, 128 MB Flash		ARM 9 Base SoC, 256 MB RAM, 128 MB Flash	
Power	Power over Ethernet IEEE 802.3af, Max. 8.9 W, 8~25 Vdc, 24 Vac		Power over Ethernet IEEE 802.3af, Max. 8.9 W, 8~25 Vdc, 24 Vac		Power over Ethernet IEEE 802.3af, Max. 8.9 W, 8~25 Vdc, 24 Vac	
I/O Connectors	1. RJ-45 Female Type 10BASE-T/100BASE-TX 4. Alarm In/Out, RS-485 7. 2-pin External IR Trigger	2. 2-pin Terminal Block for DC/AC Power Input 5. microSD Card Slot 8. Reset	3. Audio Line In/Out 6. Video Out Wafer	1. RJ-45 Female Type 10BASE-T/100BASE-TX 4. Alarm In/Out, RS-485 7. 2-pin External IR Trigger	2. 2-pin Terminal Block for DC/AC Power Input 5. microSD Card Slot 8. Reset	3. Audio Line In/Out 6. Video Out Wafer
Failover	microSD/SDHC Auto-recovery, Reset		microSD/SDHC Auto-recovery, Reset		microSD/SDHC Auto-recovery, Reset	
Operation Conditions	-25°C~55°C(-13°F~131°F) Humidity: 20%~80% RH		-10°C~50°C(14°F~122°F) Humidity: 20%~80% RH		-25°C~55°C(-13°F~131°F) Humidity: 20%~80% RH	
Included Accessories	QIG, Power Adapter, Power Cable, Video Out Cable, CD-ROM(User Manual, Free Bundle NVR)		QIG, Power Adapter, Power Cable, Video Out Cable, CD-ROM(User Manual, Free Bundle NVR)		QIG, Power Adapter, Power Cable, Video Out Cable, CD-ROM(User Manual, Free Bundle NVR)	
Approvals	FCC Part15 Subpart B, CE EN55022 Class B, EN55024, LVD, RoHS		FCC Part15 Subpart B, CE EN55022 Class B, EN55024, LVD, RoHS		FCC Part15 Subpart B, CE EN55022 Class B, EN55024, LVD, RoHS	
IR Range	15 M		15 M		15 M	
Number of IR LED	28		28		28	
IR Angle	View Angle: 25°/40°		View Angle: 25°/40°		View Angle: 25°/40°	
IR Wavelength	850 nm		850 nm		850 nm	