

EV8180

HD FIXED CAMERA

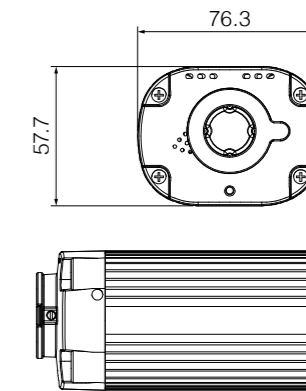


FEATURES

- ▶ External IR Control
- ▶ HDTV Video Output
- ▶ 1 KM Wi-Fi Support
- ▶ C/CS Mount Support
- ▶ Day & Night
- ▶ Built-in Microphone

MODEL	RES.	FPS.	SENSOR	VIDEO OUTPUT
EV8180F	5 MP	10 fps	CMOS	HDTV
EV8180Q-XD	3 MP	20 fps	CMOS	HDTV
EV8180A-XD	1.3 MP	30 fps	WDR	SDTV
EV8180U-XL	2.1 MP	30 fps	Low-light	HDTV
EV8180A-XL	1.3 MP	30 fps	Low-light	SDTV

DIMENSIONS(unit:mm)



SPECIFICATIONS

Model	EV8180F	EV8180Q-XD WDR	EV8180A-XD WDR	EV8180U-XL 0.1Lux	EV8180A-XL 0.1Lux
Image Sensor	1/2.5" 5 MP CMOS	1/3" 3 MP WDR CMOS	SONY 1/4" 1.3 MP WDR CMOS	SONY 1/2.8" HD-1080p CMOS	SONY 1/3" 1.3 MP CMOS
WDR	N/A	Dual-exposure, up to 110dB	Yes	N/A	N/A
Num. of Effective Pixels	2592 x 1920 HxV	2048 x 1536 HxV	1280 x 1024 HxV	1920 x 1080 HxV	1280 x 1024 HxV
Lens	CS-Mounted MP Lens Changeable		CS-Mounted MP Lens Changeable		
Minimum Illumination	0.1 Lux @ F1.2		0.1 Lux @ F1.2	0.05 Lux @ F1.2	
Shutter Time(Sec.)	1/3~1/15000 or 1/4~1/15000 Selectable		1/3~1/15000 or 1/4~1/15000 Selectable		
Auto Iris	DC Drive		DC Drive		
S/N Ratio	More than 38 dB	More than 39 dB	More than 39 dB		
Day/Night	Yes, Built-in ICR		Yes, Built-in ICR		
Video Compression	Motion JPEG, MPEG-4, H.264 High Profile		Motion JPEG, MPEG-4, H.264 High Profile		
H.264/MJPEG	10fps @ 5MP, 20fps @ 3MP, 30fps @ HD-1080p / HD-720p / SXGA / 1024 x 768 / 800 x 600 / D1 / VGA / QVGA / QQVGA / Minilux Mode	20fps @ 3MP, 30fps @ HD-1080p / HD-720p / SXGA / 1024 x 768 / 800 x 600 / D1 / VGA / QVGA / QQVGA	30fps @ SXGA / 1024 x 768 / 800 x 600 / D1 / VGA / QVGA / QQVGA	30fps @ HD-1080p / HD-720p / SXGA / 1024 x 768 / 800 x 600 / D1 / VGA / QVGA / QQVGA	30fps @ SXGA / 1024 x 768 / 800 x 600 / D1 / VGA / QVGA / QQVGA
MPEG4	30fps @ HD-1080p / HD-720p / SXGA / 1024 x 768 / 800 x 600 / D1 / VGA / QVGA / QQVGA / Minilux Mode	30fps @ HD-1080p / HD-720p / SXGA / 1024 x 768 / 800 x 600 / D1 / VGA / QVGA / QQVGA	30fps @ SXGA / 1024 x 768 / 800 x 600 / D1 / VGA / QVGA / QQVGA	30fps @ HD-1080p / HD-720p / SXGA / 1024 x 768 / 800 x 600 / D1 / VGA / QVGA / QQVGA	30fps @ SXGA / 1024 x 768 / 800 x 600 / D1 / VGA / QVGA / QQVGA
Video Streaming	Multiple Stream: Support up to 4 Independent Streams with ROI(Region of Interest) Feature Controllable Framerate and Bandwidth CBR/VBR		Multiple Stream: Support up to 4 Independent Streams with ROI(Region of Interest) Feature Controllable Framerate and Bandwidth CBR/VBR		
Bitrate	M-JPEG/VBR Mode: 5 Video Quality Level Selectable, MPEG-4/H.264 CBR Mode: 1 M~12 Mbps		M-JPEG/VBR Mode: 5 Video Quality Level Selectable, MPEG-4/H.264 CBR Mode: 1 M~12 Mbps		
Video Output	SDTV- Composite Video, HDTV- Component Video		SDTV- Composite Video	SDTV- Composite Video, HDTV- Component Video	SDTV- Composite Video
Image Setting	Compression, Brightness, Contrast, Mirroring, Sharpness, AWB, AES, AGC, BLC, Day/Night Mode, WDR, 4 Privacy Mask Regions		Compression, Brightness, Contrast, Mirroring, Sharpness, AWB, AES, AGC, BLC, Day/Night Mode, WDR, 4 Privacy Mask Regions		
Audio Compression	G.711(u-law and a-law)/G.726/AAC		G.711(u-law and a-law)/G.726/AAC		
Audio Input	Built-in Microphone, Line In x 1		Built-in Microphone, Line In x 1		
Audio Output	Line Out x 1		Line Out x 1		
Security	Password Protection, IP Address Filtering, User Access Privilege		Password Protection, IP Address Filtering, User Access Privilege		
Network Protocols	TCP/IP, UDP, DHCP, PPPoE, HTTP, HTTPS, DNS, DynDNS, NTP, FTP, SMTP, UDP, RTP, RTSP, RTCP, 3GPP, UPnP, IPv4, SAMBA Client(NAS), IGMP, ICMP, ARP		TCP/IP, UDP, DHCP, PPPoE, HTTP, HTTPS, DNS, DynDNS, NTP, FTP, SMTP, UDP, RTP, RTSP, RTCP, 3GPP, UPnP, IPv4, SAMBA Client(NAS), IGMP, ICMP, ARP		
API	CGI, ONVIF Support		CGI, ONVIF Support		
Intelligent Video	Video Motion Detection		Video Motion Detection, Tamper Detection		
Alarm Trigger	Periodical Timer, Intelligent Video and External Digital Input		Periodical Timer, Intelligent Video and External Digital Input		
Alarm Event	Intelligent Video, File Upload via FTP and E-mail, E-mail Notification with Snapshot Attachment, External Output Activation, File Recording to SD Card Remote FTP or Remote NAS		Intelligent Video, File Upload via FTP and E-mail, E-mail Notification with Snapshot Attachment, External Output Activation, File Recording to SD Card Remote FTP or Remote NAS		
Video Buffer	24 MB Max.		24 MB Max.		
Configuration	EtroScan™ Utility, Web UI		EtroScan™ Utility, Web UI		
Web Browser	Microsoft IE 8.0 or above, Mozilla Firefox, Google Chrome		Microsoft IE 8.0 or above, Mozilla Firefox, Google Chrome		
Local Storage	SD/SDHC Card Support		SD/SDHC Card Support		
Casing	Metal(Aluminum)		Metal(Aluminum)		
Dimension	76(W) x 58(H) x 109(D) mm		76(W) x 58(H) x 109(D) mm		
Weight	426 g		426 g		
Processor & Memory	ARM 9 Base SoC, 256 MB RAM, 128 MB Flash		ARM 9 Base SoC, 256 MB RAM, 128 MB Flash		
Power	Power over Ethernet IEEE 802.3af, Max. 4.5 W, 8~25 Vdc, 24 Vac		Power over Ethernet IEEE 802.3af, Max. 4.5 W, 8~25 Vdc, 24 Vac		
I/O Connectors	1. RJ-45 Female Type 10BASE-T/100BASE-TX 2. 3-pin Terminal Block for DC/AC Power Input 3. Audio Line In/Out 4. Alarm In/Out 5. Serial Port RS-485/RS-422 Configurable 6. Video Out and Reset 7. Iris Adaptor 8. USB A-type Female for External WiFi Dongle 9. SD Card Slot 10. 2-pin External IR Trigger		1. RJ-45 Female Type 10BASE-T/100BASE-TX 2. 2-pin Terminal Block for DC/AC Power Input 3. Audio Line In/Out 4. Alarm In/Out 5. Serial Port RS-485/RS-422 Configurable 6. 3-pin Terminal Block for Video Out 7. Iris Adaptor 8. USB A-type Female for External WiFi Dongle 9. micro SD Card Slot 10. 2-pin External IR Trigger 11. Reset		
Failover	SD/SDHC Auto-recovery, Reset		micro SD/SDHC Auto-recovery, Reset		
Operation Conditions	-10°C~50°C(14°F~122°F) Humidity: 20%~80% RH		-10°C~50°C(14°F~122°F) Humidity: 20%~80% RH		
Wireless Support	Yes, External USB Dongle, Supporting 802.11n Wi-Fi		Yes, External USB Dongle, Supporting 802.11n WiFi		
Included Accessories	QIG, Power Adapter, Power Cable, I/O Cable, CD-ROM(User Manual, Free Bundle NVR), Stand		QIG, Power Adapter, Power Cable, CD-ROM(User Manual, Free Bundle NVR), Stand		
Approvals	FCC Part15 Subpart B, CE EN55022 Class B, EN55024, LVD, RoHS		FCC Part15 Subpart B, CE EN55022 Class B, EN55024, LVD, RoHS		
IR Range	N/A		N/A		
Number of IR LED	N/A		N/A		
IR Angle	N/A		N/A		
IR Wavelength	N/A		N/A		